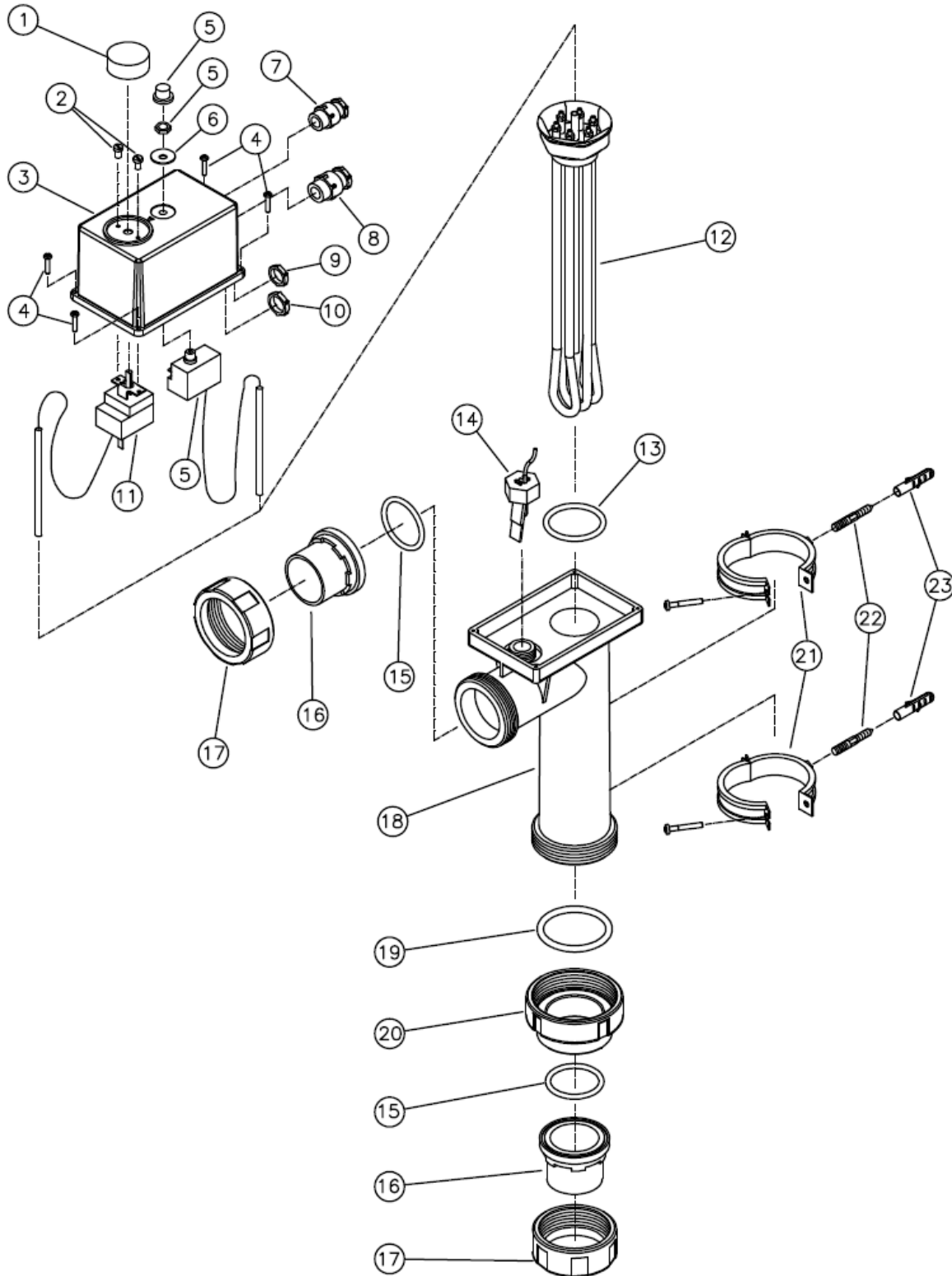


## electric heater Neo D-EWT-N 1,5 to 18 kW plastic/incoloy or titanium



## Spare parts

no. Item	no. drawing	material	description of spare part
11 09 78	1	plastic	temperature regulator
11 09 47	2	stainless steel	screw M4x4
11 40 01	3	PP 30% FV	cap top part
11 40 10	4	stainless steel	screw 3,9x22
11 09 68	5	various	safety thermostat 50°C
11 09 74	6	EPDM	gasket 24x10
11 09 39	7	polystyrene	cable gland PG 11
11 09 36	8	polystyrene	cable gland PG 13,5 (1,5 - 6 kW)
11 19 02	8	polystyrene	cable gland PG 16 (9 - 12 kW)
11 19 04	8	polystyrene	lock nut PG 21 (15 - 18 kW)
11 09 37	9	polystyrene	lock nut PG 13,5 (1,5 - 6 kW)
11 19 03	9	polystyrene	lock nut PG 16 (9 - 12 kW)
11 19 05	9	polystyrene	lock nut PG 21 (15 - 18 Kw)
11 09 40	10	polystyrene	lock nut PG 11
11 09 26	11	various	thermostat 0-40°C
11 09 12	12	Incoloy 825	heating element (1,5 kW)
11 09 13	12	Incoloy 825	heating element (3 kW)
11 09 14	12	Incoloy 825	heating element (6 kW)
11 09 15	12	Incoloy 825	heating element (9 kW)
11 09 16	12	Incoloy 825	heating element (12 kW)
11 09 17	12	Incoloy 825	heating element (15 kW)
11 09 18	12	Incoloy 825	heating element (18 kW)
10 02 28	12	titanium	heating element (3 kW)
10 02 29	12	titanium	heating element (6 kW)
10 02 30	12	titanium	heating element (9 kW)
10 02 31	12	titanium	heating element (12 kW)
10 02 32	12	titanium	heating element (18 kW)
11 09 01	13	NBR 70 Shore	OR- 44,4x3,53
11 35 20	14	noryl	flow switch 3000 l/h
11 25 14	15	NBR 70	o-ring 59,92 x 3,53
11 25 12	16	ABS	gluing socket D.50
11 25 11	17	ABS	union nut
11 40 04	18	PP 30% FV	housing (1,5 - 3 kW)
11 40 05	18	PP 30% FV	housing (6 - 9 kW)
11 40 06	18	PP 30% FV	housing (12 - 15 kW)
11 40 07	18	PP 30% FV	housing (18 kW)
11 40 08	19	NBR 70 Shore	O-ring 72,39 x 5,33
11 40 03	20	ABS	sleeve double thread
11 40 09	21	various	clamp 66-72mm (single)
11 40 11	22	stainless steel	screw M8x60
11 14 26	23	plastic	raw plug M10x50

