

SMART Digital S

DDA, DDC, DDE, up to 30 l/h, 1 x 100-240 V, 50/60 Hz

Service kits

Pump type	Valves	Materials			Kit description and product number					
		Dosing head	Gaskets	Valve balls	Valves + diaphragm pos. 1 + 2 + 3 + 7	Valves pos. 1 + 2	Diaphragm pos. 3	Complete dosing head pos. 1 + 2 + 3 + 4 + 5 + 6 + 7 + 8 + 9 + 10		
								B, P, A, AR	FC, FCM	
DDE 6-10 DDC 6-10 DDC 9-7 DDA 7.5-16	Standard	PP	EPDM (E)	Ceramic (C)	97751427	97751599	97751707	97751104	97751116	
			FKM (V)	Ceramic (C)	97751433	97751605	97751707	97751110	97751122	
		PVC	EPDM (E)	Ceramic (C)	97751473	97751623	97751707	97751175	97751193	
			FKM (V)	Ceramic (C)	97751479	97751629	97751707	97751181	97751199	
		PVDF	PTFE (T)	Ceramic (C)	97751485	97751635	97751707	97751187	97751205	
			EPDM (E)	Ceramic (C)	97751527	97751659	97751707	97751283	97751301	
	Spring-loaded	PVC	FKM (V)	Ceramic (C)	97751533	97751665	97751707	97751289	97751307	
			PTFE (T)	Ceramic (C)	97751539	97751671	97751707	97751295	97751313	
		SS	PTFE (T)	Stainless steel (SS)	97751585	97751699	97751707	97751395	97751401	
			EPDM (E)	Ceramic (C)	97751428	97751600	97751707	97751105	97751117	
		PVC	FKM (V)	Ceramic (C)	97751434	97751606	97751707	97751111	97751123	
			EPDM (E)	Ceramic (C)	97751474	97751624	97751707	97751176	97751194	
	DDE 15-4 DDC 15-4 DDA 12-10 DDA 17-7	Spring-loaded	PVC	FKM (V)	Ceramic (C)	97751480	97751630	97751707	97751182	97751200
				PTFE (T)	Ceramic (C)	97751486	97751636	97751707	97751188	97751206
			PVDF	EPDM (E)	Ceramic (C)	97751528	97751660	97751707	97751284	97751302
				FKM (V)	Ceramic (C)	97751534	97751666	97751707	97751290	97751308
			SS	PTFE (T)	Ceramic (C)	97751540	97751672	97751707	97751296	97751314
				EPDM (E)	Stainless steel (SS)	97751586	97751700	97751707	97751396	97751402
	DDA 30-4	Standard	PP	EPDM (E)	Ceramic (C)	97751439	97751611	97751708	97751128	97751140
				FKM (V)	Ceramic (C)	97751445	97751617	97751708	97751134	97751146
			PVC	EPDM (E)	Ceramic (C)	97751491	97751641	97751708	97751211	97751229
				FKM (V)	Ceramic (C)	97751497	97751647	97751708	97751217	97751235
			PVDF	PTFE (T)	Ceramic (C)	97751503	97751653	97751708	97751223	97751241
				EPDM (E)	Ceramic (C)	97751545	97751677	97751708	97751319	97751337
Spring-loaded		PVC	FKM (V)	Ceramic (C)	97751551	97751683	97751708	97751325	97751343	
			PTFE (T)	Ceramic (C)	97751557	97751689	97751708	97751331	97751349	
		SS	PTFE (T)	Stainless steel (SS)	97751591	97751705	97751708	97751407	97751413	
			EPDM (E)	Ceramic (C)	97751440	97751612	97751708	97751129	97751141	
		PVC	FKM (V)	Ceramic (C)	97751446	97751618	97751708	97751135	97751147	
			EPDM (E)	Ceramic (C)	97751492	97751642	97751708	97751212	97751230	
DDA 30-4	Standard	PVC	FKM (V)	Ceramic (C)	97751498	97751648	97751708	97751218	97751236	
			PTFE (T)	Ceramic (C)	97751504	97751654	97751708	97751224	97751242	
		PVDF	EPDM (E)	Ceramic (C)	97751546	97751678	97751708	97751320	97751338	
			FKM (V)	Ceramic (C)	97751552	97751684	97751708	97751326	97751344	
		SS	PTFE (T)	Ceramic (C)	97751558	97751690	97751708	97751332	97751350	
			EPDM (E)	Stainless steel (SS)	97751592	97751706	97751708	97751408	97751414	
	Spring-loaded	PP	EPDM (E)	Ceramic (C)	97751461	97751611	97751709	97751151	97751163	
			FKM (V)	Ceramic (C)	97751467	97751617	97751709	97751157	97751169	
		PVC	EPDM (E)	Ceramic (C)	97751509	97751641	97751709	97751247	97751265	
			FKM (V)	Ceramic (C)	97751515	97751647	97751709	97751253	97751271	
		PVDF	PTFE (T)	Ceramic (C)	97751521	97751653	97751709	97751259	97751277	
			EPDM (E)	Ceramic (C)	97751563	97751677	97751709	97751355	97751373	
DDA 30-4	PVC	FKM (V)	Ceramic (C)	97751569	97751683	97751709	97751361	97751379		
		PTFE (T)	Ceramic (C)	97751575	97751689	97751709	97751367	97751385		
	SS	PTFE (T)	Stainless steel (SS)	97751597	97751705	97751709	97751419	97751425		
		EPDM (E)	Ceramic (C)	97751462	97751612	97751709	97751152	97751164		
	PVC	FKM (V)	Ceramic (C)	97751468	97751618	97751709	97751158	97751170		
		EPDM (E)	Ceramic (C)	97751510	97751642	97751709	97751248	97751266		
DDA 30-4	PVDF	FKM (V)	Ceramic (C)	97751516	97751648	97751709	97751254	97751272		
		PTFE (T)	Ceramic (C)	97751522	97751654	97751709	97751260	97751278		
	SS	EPDM (E)	Ceramic (C)	97751564	97751678	97751709	97751356	97751374		
		FKM (V)	Ceramic (C)	97751570	97751684	97751709	97751362	97751380		
	PVC	PTFE (T)	Ceramic (C)	97751576	97751690	97751709	97751368	97751386		
		EPDM (E)	Stainless steel (SS)	97751598	97751706	97751709	97751420	97751426		

* The dosing heads of DDA control variants FC and FCM are equipped with a pressure sensor.

Control cube (only DDA and DDC)

Pos.	Description	Kit No
12	Screws, plugs	97790966
13	Display cover	97790958

Deaeration valve

Pos.	Materials		Kit No
	Valve body	Gasket	
	PP	EPDM (E)	97790986
		FKM (V)	97790987
9	PVC	EPDM (E)	97790988
		FKM (V)	97790989
	PVDF	EPDM (E)	97790990
		FKM (V)	97790991

Dosing head cover

Pos.	Description	Type	Kit No
8	DDA, DDC, DDE up to 17l/h	PP	97790967
	DDA 30 l/h	SS	97790968

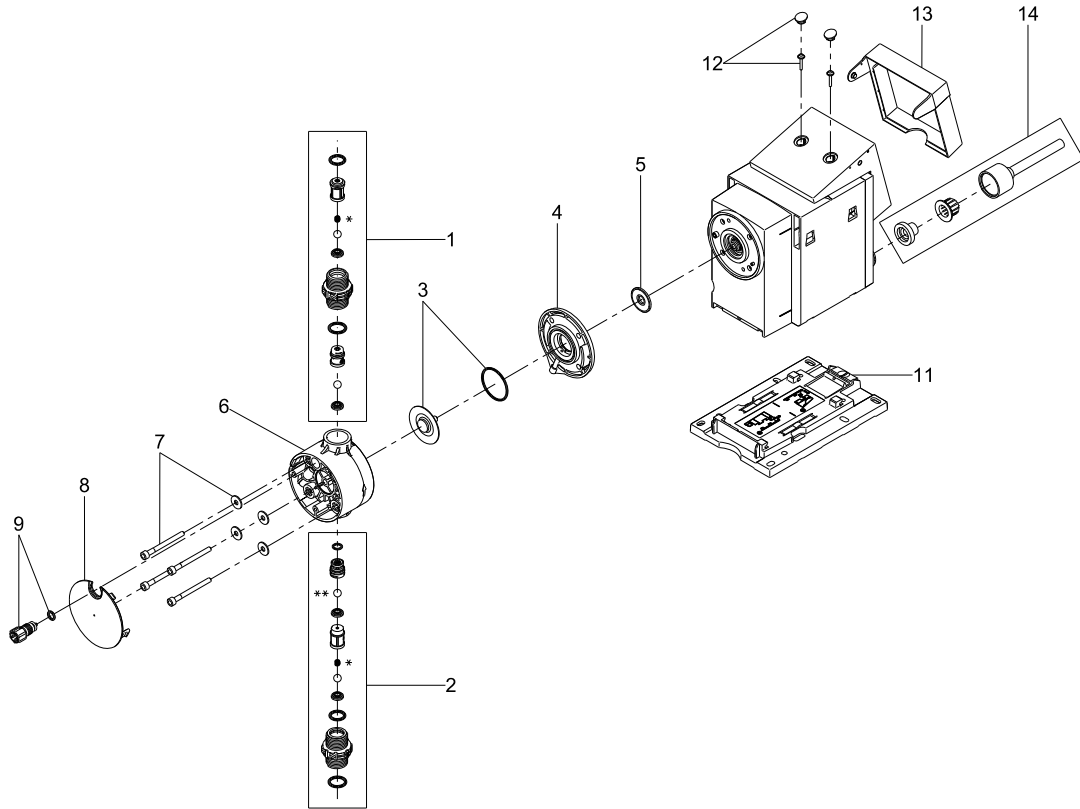
Mounting plate

Pos.	Description	Kit No
11	Mounting plate and screws	97790957

Power cable

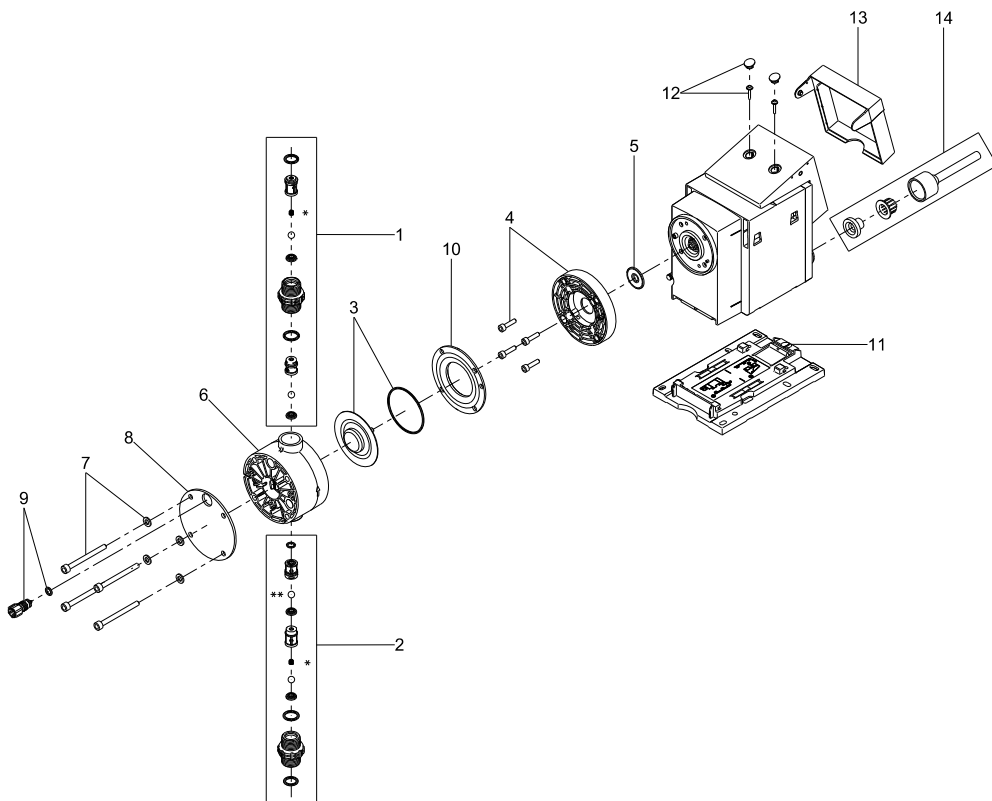
Pos.	Country	Type	Kit No
14	EU	F	97790969
	USA	B	97790970
	Canada	B	97790970
	UK	G	97790981
	Australia	I	97790982
	New Zealand	I	97790982
	Taiwan	I	97790982
	Japan	J	97790984
	Switzerland	E	97790983
	Argentina	L	97790985

DDA, DDC, DDE, up to 17 l/h



TM04 9566 4710

DDA, 30 l/h



TM04 9565 4710

* Only for spring-loaded valves.
 ** Not for spring-loaded valves.

SMART Digital XL

DDA, DDE, 60-200 l/h, 1 x 100-240 V, 50/60 Hz

Service kits

Pump type	Valves	Materials			Kit description and product number								
		Head	Gasket	Valve ball	Valves + diaphragm		Valve	Diaphragm		Complete dosing head			
					pos. 1 + 2 + 3 + 4 + 7		pos. 1 + 2	pos. 3 + 4		pos. 1 + 2 + 3 + 4 + 6 + 7 + 8 + 9 + 10			
					Standard	DLD*		Standard	DLD*	Control variant:			
									DDE-B, DDE-AR, DDA-AR	DDA-AR (DLD*)	DDA-FCM**		
DDA 60-10 DDE 60-10	PVC	EPDM	Ceramic		99151275	99151299	99151369	99151383	99151384	99151389	99151431	99151474	
		FKM	Ceramic		99151276	99151300	99151370	99151383	99151384	99151390	99151432	99151475	
		PTFE	Ceramic		99151277	99151301	99151371	99151383	99151384	99151391	99151433	99151476	
		PTFE	PTFE		99192660	99192764	99192788	99151383	99151384	99192796	99192820	99192844	
	Std	EPDM	Ceramic		99151278	99151302	99151372	99151383	99151384	99151392	99151434	99151477	
		FKM	Ceramic		99151279	99151303	99151373	99151383	99151384	99151393	99151435	99151478	
		PTFE	Ceramic		99151280	99151304	99151374	99151383	99151384	99151394	99151436	99151479	
		PTFE	PTFE		99192661	99192765	99192789	99151383	99151384	99192797	99192821	99192845 99422697***	
	SS	EPDM	SS		99192662	99192766	99192790	99151383	99151384	99192798	99192822	99192846	
		FKM	SS		99192743	99192767	99192791	99151383	99151384	99192799	99192823	99192847	
		PTFE	SS		99151281	99151305	99151375	99151383	99151384	99151395	99151437	99151480	
		EPDM	Ceramic		99151282	99151306	99151376	99151383	99151384	99151396	99151438	99151481	
	PVC	FKM	Ceramic		99151293	99151307	99151377	99151383	99151384	99151397	99151439	99151482	
		PTFE	Ceramic		99151294	99151308	99151378	99151383	99151384	99151398	99151440	99151483	
		PTFE	PTFE		99192744	99192768	99192792	99151383	99151384	99192800	99192824	99192848	
		EPDM	Ceramic		99151295	99151309	99151379	99151383	99151384	99151399	99151441	99151484	
	Spring loaded	PVDF	FKM	Ceramic		99151296	99151310	99151380	99151383	99151384	99151400	99151442	99151485
		PTFE	Ceramic		99151297	99151311	99151381	99151383	99151384	99151401	99151443	99151486	
		PTFE	PTFE		99192745	99192769	99192793	99151383	99151384	99192801	99192825	99192849	
		EPDM	SS		99192746	99192770	99192794	99151383	99151384	99192802	99192826	99192850	
	SS	FKM	SS		99192747	99192771	99192795	99151383	99151384	99192803	99192827	99192851	
		PTFE	SS		99151298	99151312	99151382	99151383	99151384	99151402	99151444	99151487	
		EPDM	Ceramic		99151313	99151327	99151369	99151385	99151386	99151403	99151445	99151488	
		FKM	Ceramic		99151314	99151328	99151370	99151385	99151386	99151404	99151446	99151489	
PVC	PTFE	Ceramic		99151315	99151329	99151371	99151385	99151386	99151405	99151447	99151490		
	PTFE	PTFE		99192748	99192772	99192788	99151385	99151386	99192804	99192828	99192852		
	EPDM	Ceramic		99151316	99151330	99151372	99151385	99151386	99151406	99151448	99151491		
	FKM	Ceramic		99151317	99151331	99151373	99151385	99151386	99151407	99151449	99151492		
Std	PVDF	PTFE	Ceramic		99151318	99151332	99151374	99151385	99151386	99151408	99151450	99151493	
	PTFE	PTFE		99192749	99192773	99192789	99151385	99151386	99192805	99192829	99192853 99422699***		
	EPDM	SS		99192750	99192774	99192790	99151385	99151386	99192806	99192830	99192854		
	FKM	SS		99192751	99192775	99192791	99151385	99151386	99192807	99192831	99192855		
DDA 120-7 DDE 120-7	PTFE	SS		99151319	99151333	99151375	99151385	99151386	99151409	99151451	99151494		
	EPDM	Ceramic		99151320	99151334	99151376	99151385	99151386	99151410	99151452	99151495		
	FKM	Ceramic		99151321	99151335	99151377	99151385	99151386	99151411	99151453	99151496		
	PTFE	Ceramic		99151322	99151336	99151378	99151385	99151386	99151412	99151454	99151497		
Spring loaded	PVDF	PTFE	PTFE		99192752	99192776	99192792	99151385	99151386	99192808	99192832	99192856	
	EPDM	Ceramic		99151323	99151337	99151379	99151385	99151386	99151413	99151455	99151498		
	FKM	Ceramic		99151324	99151338	99151380	99151385	99151386	99151414	99151456	99151499		
	PTFE	Ceramic		99151325	99151339	99151381	99151385	99151386	99151415	99151457	99151500		
SS	PTFE	PTFE		99192753	99192777	99192793	99151385	99151386	99192809	99192833	99192857		
	EPDM	SS		99192754	99192778	99192794	99151385	99151386	99192810	99192834	99192858		
	FKM	SS		99192755	99192779	99192795	99151385	99151386	99192811	99192835	99192859		
	PTFE	SS		99151326	99151340	99151382	99151385	99151386	99151416	99151458	99151501		

Pump type	Valves	Materials			Kit description and product number								
		Head	Gasket	Valve ball	Valves + diaphragm		Valve	Diaphragm		Complete dosing head			
					pos. 1 + 2 + 3 + 4 + 7			pos. 3 + 4	pos. 1 + 2 + 3 + 4 + 6 + 7 + 8 + 9 + 10				
					Standard	DLD*	pos. 1 + 2		Standard	DLD*	Control variant:		
				DDE-B, DDE-AR, DDA-AR				DDA-AR (DLD*)	DDA-FCM**				
DDA 200-4 DDE 200-4	PVC	EPDM	Ceramic		99151341	99151355	99151369	99151387	99151388	99151417	99151459	99151502	
		FKM	Ceramic		99151342	99151356	99151370	99151387	99151388	99151418	99151460	99151503	
		PTFE	Ceramic		99151343	99151357	99151371	99151387	99151388	99151419	99151462	99151504	
		PTFE	PTFE		99192756	99192780	99192788	99151387	99151388	99192812	99192836	99192860	
		EPDM	Ceramic		99151344	99151358	99151372	99151387	99151388	99151420	99151463	99151505	
		FKM	Ceramic		99151345	99151359	99151373	99151387	99151388	99151421	99151464	99151506	
	Std	PVDF	PTFE	Ceramic		99151346	99151360	99151374	99151387	99151388	99151422	99151465	99151507
			PTFE	PTFE		99192757	99192781	99192789	99151387	99151388	99192813	99192837	99192861 99422700***
			EPDM	SS		99192758	99192782	99192790	99151387	99151388	99192814	99192838	99192862
	SS		FKM	SS		99192759	99192783	99192791	99151387	99151388	99192815	99192839	99192863
			PTFE	SS		99151347	99151361	99151375	99151387	99151388	99151423	99151466	99151508
			EPDM	Ceramic		99151348	99151362	99151376	99151387	99151388	99151424	99151467	99151509
	PVC		FKM	Ceramic		99151349	99151363	99151377	99151387	99151388	99151425	99151468	99151510
			PTFE	Ceramic		99151350	99151364	99151378	99151387	99151388	99151426	99151469	99151511
			PTFE	PTFE		99192760	99192784	99192792	99151387	99151388	99192816	99192840	99192864
	Spring loaded	PVDF	EPDM	Ceramic		99151351	99151365	99151379	99151387	99151388	99151427	99151470	99151512
			FKM	Ceramic		99151352	99151366	99151380	99151387	99151388	99151428	99151471	99151513
			PTFE	Ceramic		99151353	99151367	99151381	99151387	99151388	99151429	99151472	99151514
	SS		PTFE	PTFE		99192761	99192785	99192793	99151387	99151388	99192817	99192841	99192865
			EPDM	SS		99192762	99192786	99192794	99151387	99151388	99192818	99192842	99192866
			FKM	SS		99192763	99192787	99192795	99151387	99151388	99192819	99192843	99192867
			PTFE	SS		99151354	99151368	99151382	99151387	99151388	99151430	99151473	99151515

* DLD = Diaphragm Leakage Detection.
 ** The dosing head of DDA control variant FCM is equipped with a pressure sensor.
 *** Kit only for pumps with Sapphire Pressure Sensor for fluoride containing media.
 Std = Standard
 SS = Stainless steel

Deaeration valve

Pos.	Materials		Kit No.
	Valve body	Gasket	
9	PVC	EPDM	99580608
		FKM	99580609
	PVDF	EPDM	99580610
		FKM	99580611

The replacement of the deaeration valve requires a special tool kit:

Description	Quantity	Kit no.
Special tool kit for deaeration valve replacement	1	99396558

Flange

Pos.	Description	Quantity	Kit no.	
			Pump type:	
			DDA 120-7 DDE 120-7	DDA 200-4 DDE 200-4
5	Pump head flange	1	99332869	99332870
7	Screw	4		
4	O-ring	1		

Cover set

Pos.	Description	Quantity	Kit no.
13	Cover for Cube	1	99517558
12	Cover for screw	2	
13a	Cover for plug	6	

Mounting plate

Pos.	Description	Quantity	Kit no.
11	Mounting plate	1	99151552
12	Screws	2	

Diaphragm Leakage Detection (DLD)

Pos.	Description	Quantity	Kit no.
15	Pressure switch and gasket	1	99185328

I/O board

NOTE: This spare part must only be replaced by certified service persons authorised and qualified by Grundfos.

Pos.	Description	Quantity	Kit No.		
			Control variant:		
			DDA-AR DDA-FCM	DDE-B	DDE-AR
17	I/O board	1	99332897	99332898	99332899
12	Screw	4			

Control cube

NOTE: This spare part must only be replaced by certified service persons authorised and qualified by Grundfos.

Pos.	Description	Quantity	Kit No.		
			Control variant:		
			DDA-AR DDA-FCM	DDE-B	DDE-AR
16	Control cube	1	99332894	99332895	99332896
12	Screw	2			
-	O-ring	1			

Power cable

Pos.	Country	Type	Kit No.
14 14a	EU	F	99151545
	USA	B	99151546
	Canada	B	99151546
	UK	G	99151547
	Australia	I	99151548
	New Zealand	I	99151548
	Taiwan	I	99151548
	Japan	J	99151549
	Switzerland	E	99151550
	Argentina	L	99151551

Cover plate

Pos.	Pump type	Variant	Kit No.
8	DDA 60-10	without DLD	99529625
	DDE 60-10	with DLD	99529632
	DDA 120-7	without DLD	99529644
	DDE 120-7	with DLD	99529650
	DDA 200-4	without DLD	99529652
	DDE 200-4	with DLD	99529653

Screws

Pos.	Pump type	Dosing head material	Quantity	Kit No.	
7	DDA 60-10 DDE 60-10	PVC, PVDF	12	99396530	
	DDA 60-10 DDE 60-10	SS	12	99396531	
	DDA 120-7 DDE 120-7 DDA 200-4 DDE 200-4	PVC, PVDF	12	99396532	
	DDA 120-7 DDE 120-7 DDA 200-4 DDE 200-4	SS	12	99396553	
	12	All	All	24	99517706

Washer

Pos.	Description	Quantity	Kit No.
7	Washer	24	99540321

O-ring

Pos.	Description	Quantity	Kit No.
4	O-ring - EPDM	30	99517709
	O-ring - FKM	20	99517744
2	O-ring - PTFE/ FKM	20	99517971
	O-ring - EPDM	20	99517983

