

ST-D Series

Diaphragm motor-driven dosing pumps

The metering pumps **ST-D series** are driven by an electric motor, the dosage takes place thanks to a PTFE diaphragm. The **ST-D series** pumps make their robustness and reliability their main characteristic.

General Features

- Max Flow Rate:
 - 300 l/h at 50Hz
 - 360 l/h at 60Hz
- Max Pressure: 14 bar
- Standard Power Supply: 230-400V phases 50/60Hz
- Motor: 0.18 or 0.25 kW
- Frequency:
 - from 60 to 120 strokes/min at 50Hz
 - from 72 to 144 strokes/min at 60Hz
- Pump head: PP, PVC, SS316 or PVDF
- Valves: single ball
- Balls: ceramic or SS316L
- Ball seats FPM, EPDM or NBR
- Valve seats in PVC or PVDF
- Diaphragm in PTFE
- Die-cast aluminum housing protected by epoxy/anti-acid paint
- IP55 protection degree
- F insulation class



On request, ST-D pumps series can be equipped with

- Motorizations:
 - Without motor
 - Self-ventilated motor
 - UL/CSA motor certification
 - ATEX motor
 - Single-phase motor
 - Tropicalized motor
 - Hydraulic:
 - NPT hydraulic connections
 - Larger dimensions valves
 - Regulation and control by an external signal:
 - Electric actuator (automatic adjustment of piston "run" by a 4-20mA signal)
 - Inverter (automatic adjustment of motor speed by a 4-20mA signal)
-

Technical Features

Model	Flow rate l/h(Gal/h)		Pressure bar(psi)				Strokes/min		Length mm	Membrane mm	Power kW	Valves
			SS		PP							
	50 Hz	60 Hz	50 Hz	60 Hz	50 Hz	60 Hz	50 Hz	60 Hz				
AD0016	16 (4.23)	19 (5.07)	14(203)	14(203)	14(203)	14(203)	60	72	4	50	0.18	½" Gm
AD0033	33(8.72)	40(10.46)	14(203)	12(174)	14(203)	12(174)	120	144	4	50	0.18	½" Gm
AD0030	30(7.92)	36(9.51)	11(160)	11(160)	11(160)	11(160)	60	72	4	67	0.18	½" Gm
AD0060	60(15.85)	72(16.02)	11(160)	10(145)	11(160)	10(145)	120	144	4	67	0.18	½" Gm
AD0061	61(16.12)	73(19.34)	7(102)	6.5(94)	7(102)	6.5(94)	60	72	4	85	0.18	½" Gm
AD0123	123(32.5)	148(39)	6(87)	5(72)	6(87)	5(72)	120	144	4	85	0.18	½" Gm
AD0150	150(39.63)	180(47.55)	5(72)	4(58)	5(72)	4(58)	60	72	10	95	0.25	1" Gm
AD0300	300(79.25)	360(95.1)	5(72)	4(58)	5(72)	4(58)	120	144	10	95	0.25	1" Gm

Pump Head configurations

- Standard

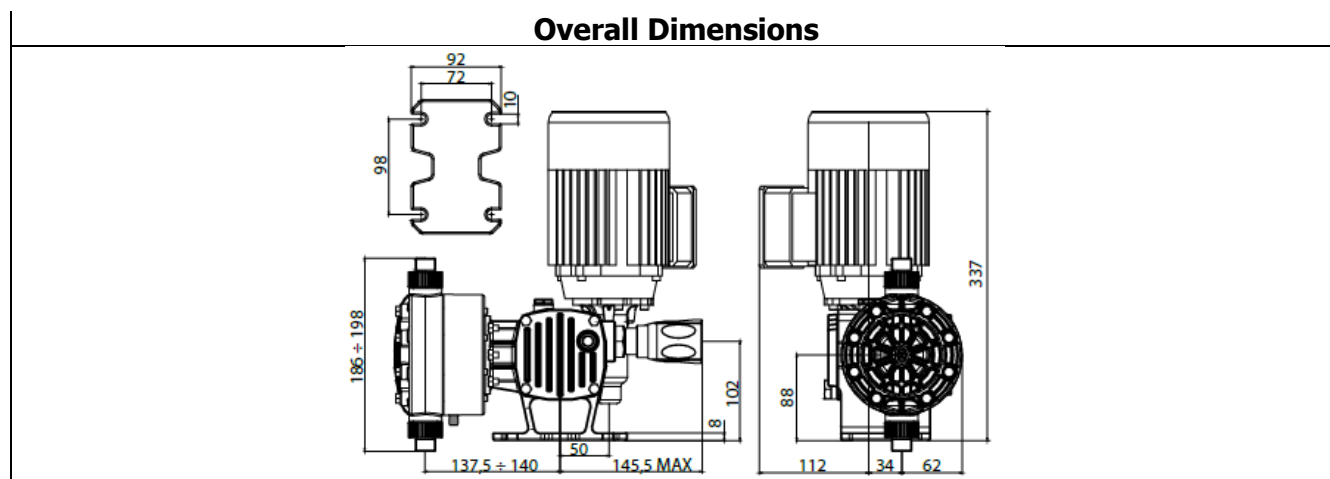
Version	Head	Connections	Diaphragm	Valve Seats	Balls	Ball Seats
AA	SS316L	SS316L	PTFE	PVDF	SS316L	NBR
CA	PP	PP	PTFE	PVC	Ceramica	FPM

- On Request

Version	Head	Connections	Diaphragm	Valve Seats	Balls	Ball Seats
AP	SS316L	SS316L	PTFE	PVDF	SS316L	FPM
AI	SS316L	SS316L	PTFE	PVDF	SS316L	EPDM
BA	PVC	PVC	PTFE	PVC	Ceramic	FPM
BI	PVC	PVC	PTFE	PVC	Ceramic	EPDM
CI	PP	PP	PTFE	PVC	Ceramic	EPDM
SA	PVDF	PVDF	PTFE	PVDF	Ceramic	FPM
SI	PVDF	PVDF	PTFE	PVDF	Ceramic	EPDM

Per altre configurazioni rivolgersi alla sede

Overall Dimensions



Code	Description
AD0016CA00100	16l/h – 14 bar PP head
AD0033CA00100	33l/h – 14 bar PP head
AD0030CA00100	30l/h – 11 bar PP head
AD0060CA00100	60l/h – 11 bar PP head
AD0061CA00100	61l/h – 7 bar PP head
AD0123CA00100	123l/h – 6 bar PP head
AD0150CA00100	150l/h – 5 bar PP head
AD0300CA00100	300l/h – 5 bar PP head

Code	Description
AD0016AA00100	16l/h – 14 bar SS316L head
AD0033AA00100	33l/h – 14 bar SS316L head
AD0030AA00100	30l/h – 11 bar SS316L head
AD0060AA00100	60l/h – 11 bar SS316L head
AD0061AA00100	61l/h – 7 bar SS316L head
AD0123AA00100	123l/h – 6 bar SS316L head
AD0150AA00100	150l/h – 5 bar SS316L head
AD0300AA00100	300l/h – 5 bar SS316L head